



US00D932265S

(12) **United States Design Patent**
De Lay et al.

(10) **Patent No.:** **US D932,265 S**

(45) **Date of Patent:** **** Oct. 5, 2021**

- (54) **POWER TOOL**
- (71) Applicant: **Master Appliance Corporation**,
Racine, WI (US)
- (72) Inventors: **Daniel J. De Lay**, Muskego, WI (US);
Mark Brenneman, Burlington, WI
(US); **Steve Landowski**, Kenosha, WI
(US); **Nicholas Hirsch**, Wind Lake, WI
(US)
- (73) Assignee: **Master Appliance Corporation**,
Racine, WI (US)
- (**) Term: **15 Years**
- (21) Appl. No.: **29/738,398**
- (22) Filed: **Jun. 17, 2020**

- D353,224 S * 12/1994 Rizzuto, Jr. D28/13
- 5,974,690 A * 11/1999 Canada A45D 20/12
34/329
- 6,205,674 B1 * 3/2001 Kaizuka A45D 20/12
219/553
- D493,372 S * 7/2004 Houlihan D10/30
- D559,649 S * 1/2008 Ahn D8/70
- D613,569 S 4/2010 Steinel

(Continued)

OTHER PUBLICATIONS

Master Appliance, "Master Heat Guns & Kits," <<https://www.masterappliance.com/master-heat-guns-kits/>> website publicly available at least as early as Oct. 23, 2017.

(Continued)

Primary Examiner — Philip S Hyder

(74) *Attorney, Agent, or Firm* — Boyle Fredrickson, SC

(57) **CLAIM**

We claim the ornamental design for a power tool, as shown and described.

DESCRIPTION

FIG. 1 is a right side perspective view of a power tool.
 FIG. 2 is a left side perspective view of the power tool shown in FIG. 1.
 FIG. 3 is a front view of the power tool shown in FIG. 1.
 FIG. 4 is a rear view of the power tool shown in FIG. 1.
 FIG. 5 is a left side view of the power tool shown in FIG. 1.
 FIG. 6 is a right side view of the power tool shown in FIG. 1.
 FIG. 7 is a top view of the power tool shown in FIG. 1; and, FIG. 8 is a bottom view of the power tool shown in FIG. 1. The broken lines having equal segments represent portions of the article that form no part of the claimed design.

1 Claim, 6 Drawing Sheets

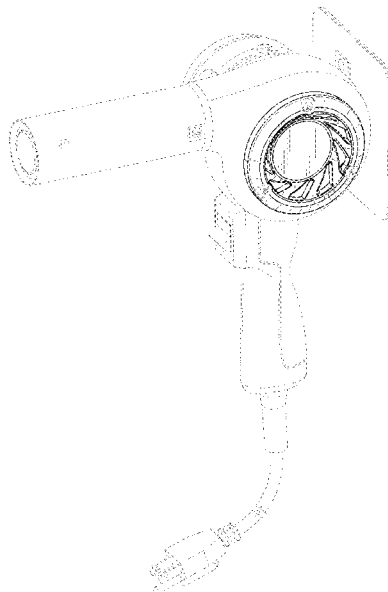
Related U.S. Application Data

- (62) Division of application No. 29/660,302, filed on Aug. 20, 2018, now Pat. No. Des. 893,965.
- (51) **LOC (13) Cl.** **08-05**
- (52) **U.S. Cl.**
USPC **D8/29.1**
- (58) **Field of Classification Search**
USPC D8/29.1, 29.2, 30, 60, 68, 67; D28/13
CPC A45D 20/08; A45D 20/10; F24H 3/002;
F24H 3/0423
See application file for complete search history.

References Cited

U.S. PATENT DOCUMENTS

- D274,551 S 7/1984 Benjamin et al.
- D290,528 S * 6/1987 Muller D28/13
- D334,876 S 4/1993 Swetish
- D345,042 S * 3/1994 Montagnino D28/13
- 5,349,161 A 9/1994 Bockholt



(56)

References Cited

U.S. PATENT DOCUMENTS

8,424,543	B2 *	4/2013	Lombardi	A45D 20/08 132/271
D709,745	S	7/2014	Radwill et al.	
D710,165	S	8/2014	Radwill et al.	
D765,966	S *	9/2016	Dandachli	D3/211
D775,417	S *	12/2016	Cho	D28/13
D785,926	S *	5/2017	Dandachli	D3/211
D793,452	S *	8/2017	Regnier	D15/5
D807,024	S *	1/2018	Dandachli	D3/211
D893,965	S *	8/2020	De Lay	D8/29.1
D914,973	S *	3/2021	Huang	D28/13
D919,884	S *	5/2021	Huang	D28/13
2008/0181590	A1	7/2008	Radwill et al.	

OTHER PUBLICATIONS

Master Appliance, "Varitemp Heat Guns & Heat Gun Kit," <<https://www.masterappliance.com/varitemp-heat-guns-heat-gun-kit/>> website publicly available at least as early as Jun. 15, 2017.

* cited by examiner

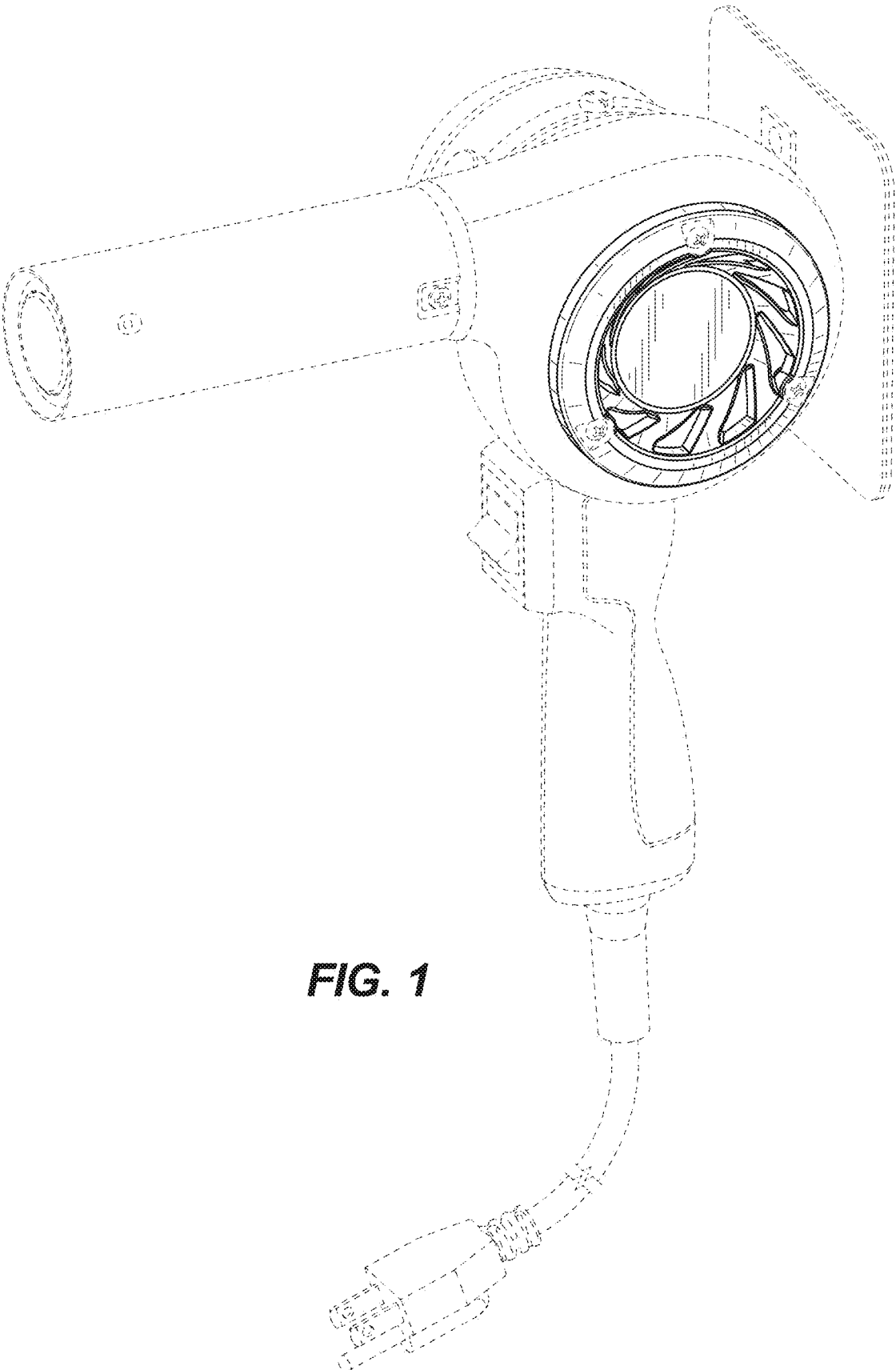
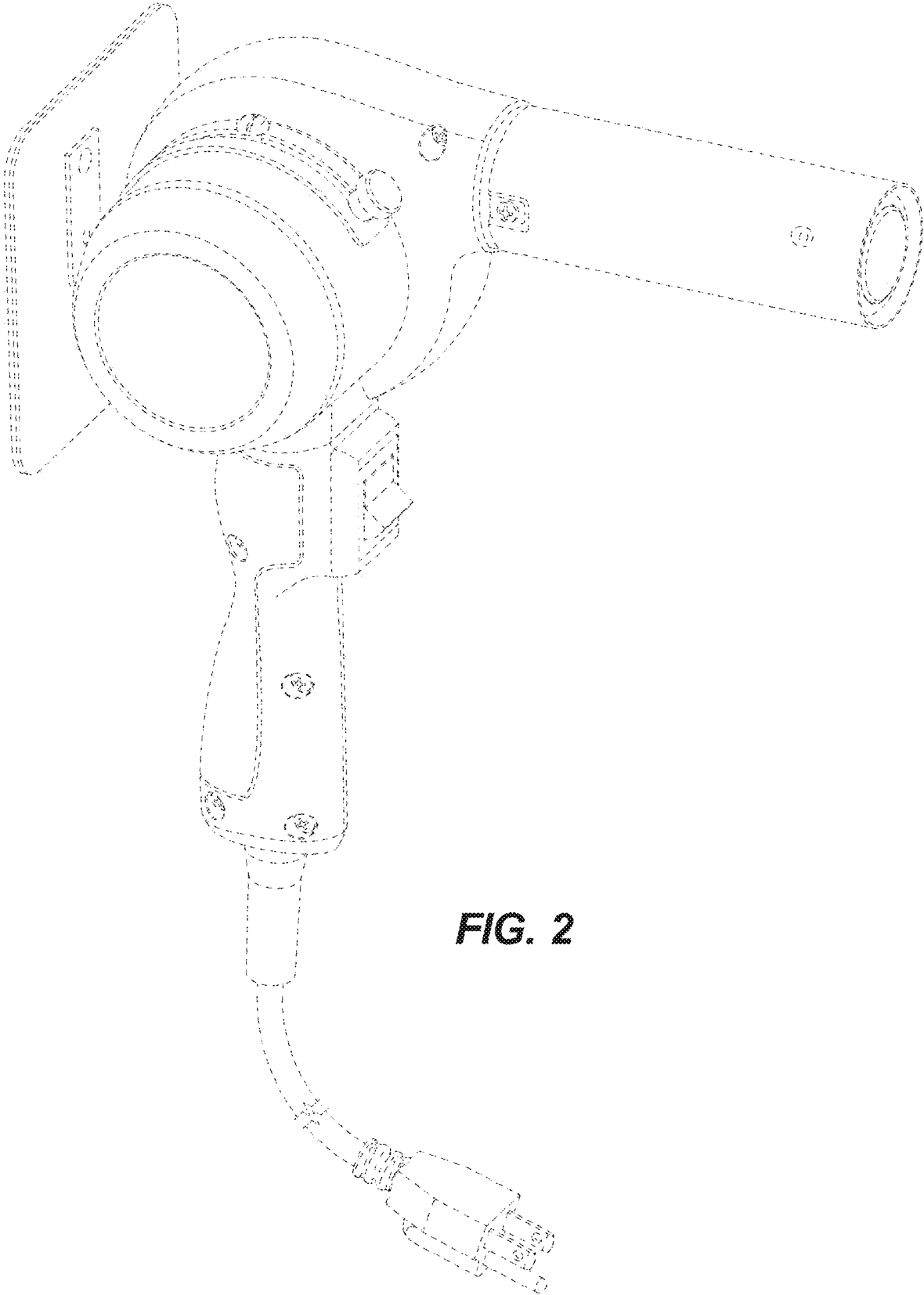


FIG. 1



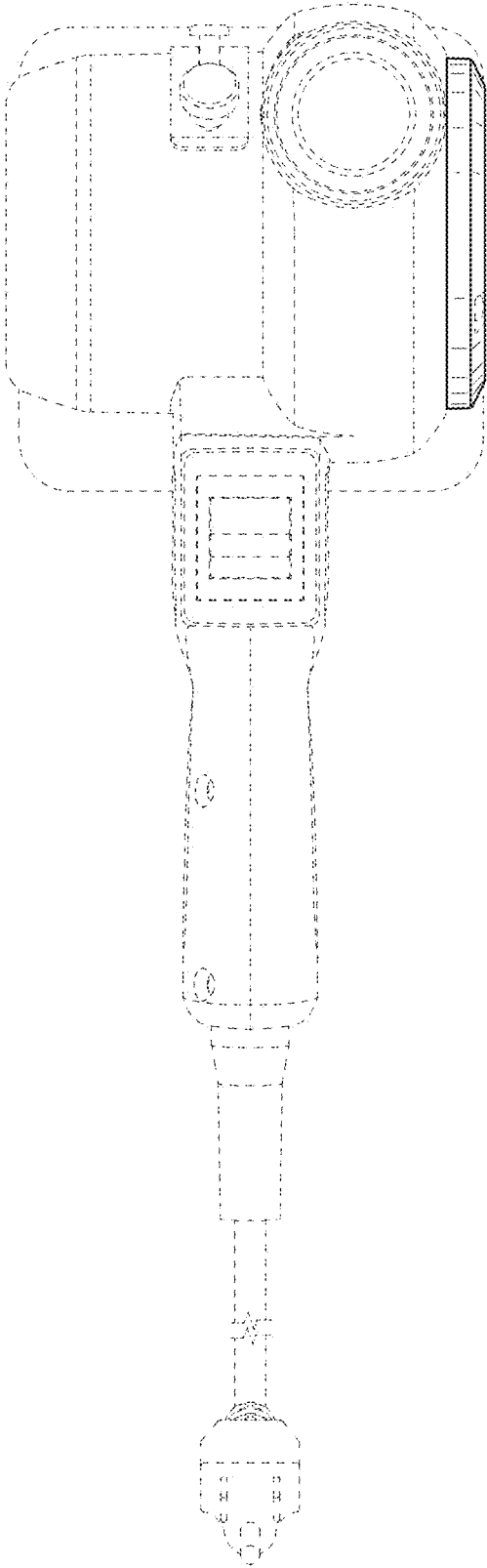


FIG. 3

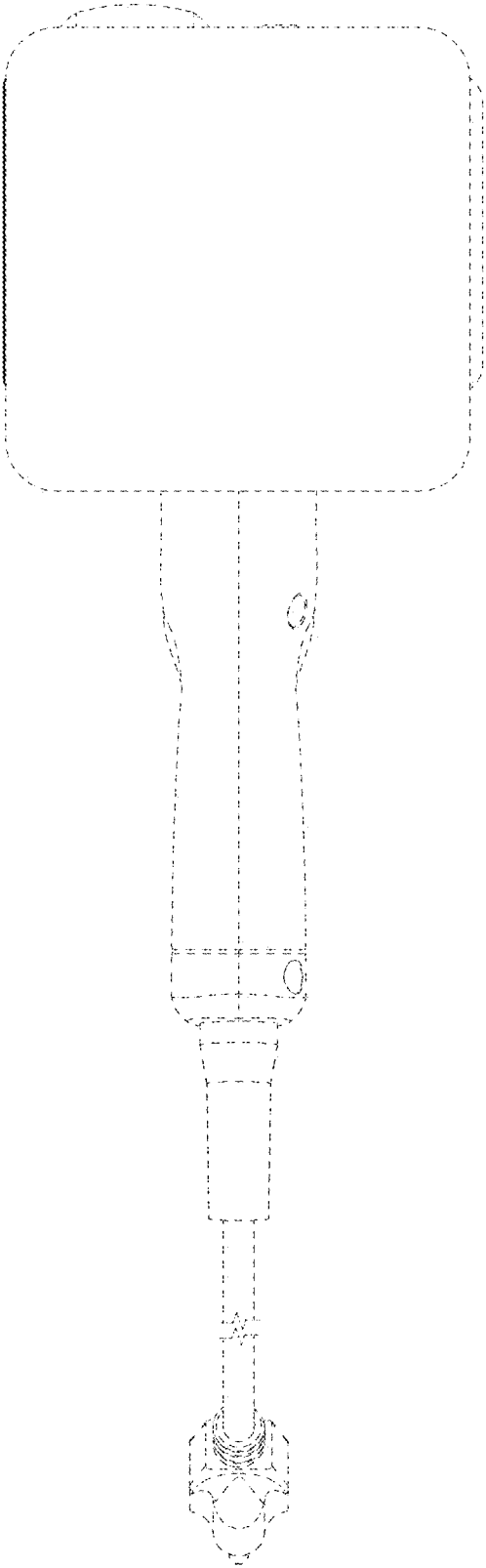


FIG. 4

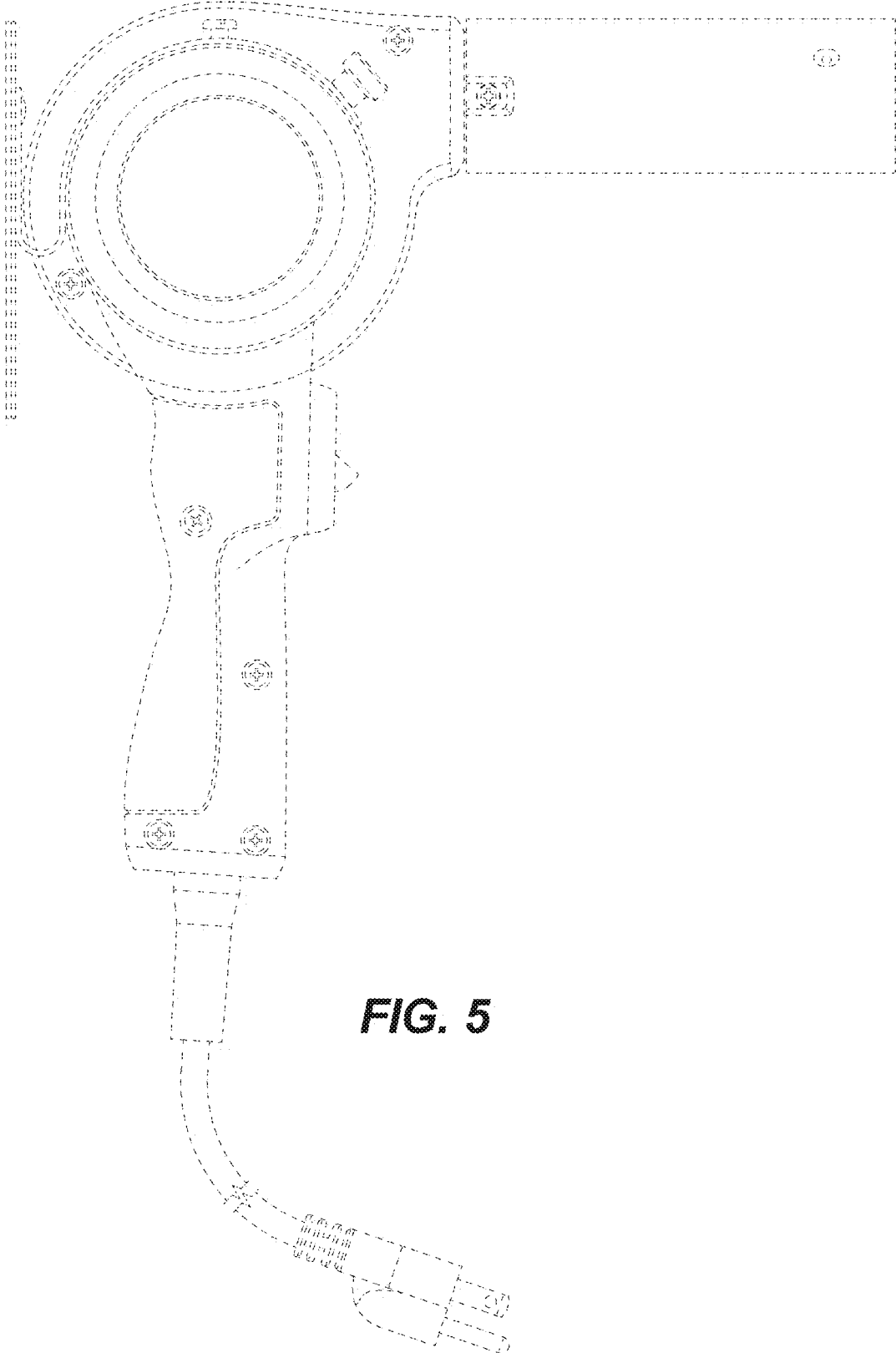


FIG. 5

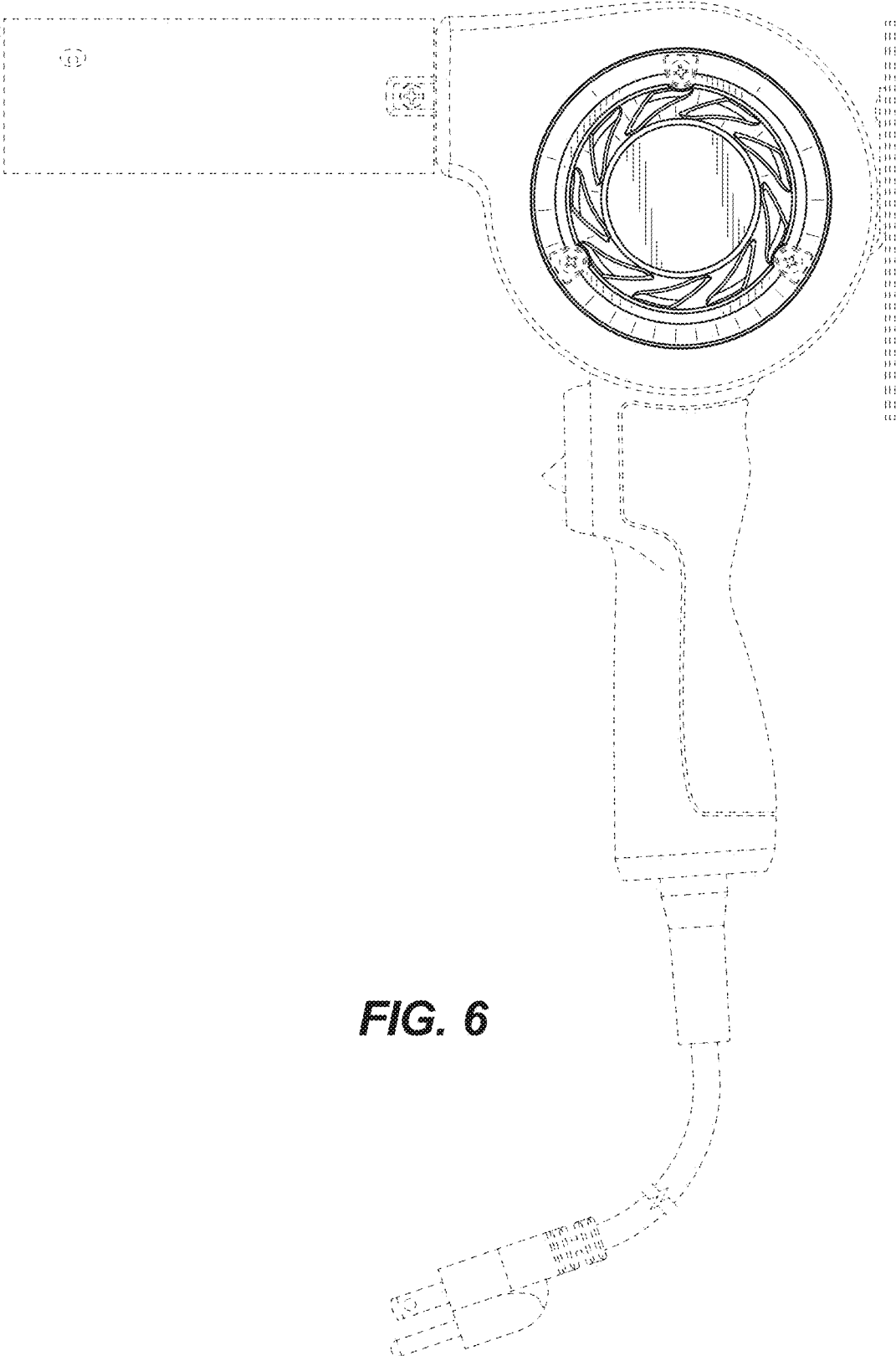


FIG. 6

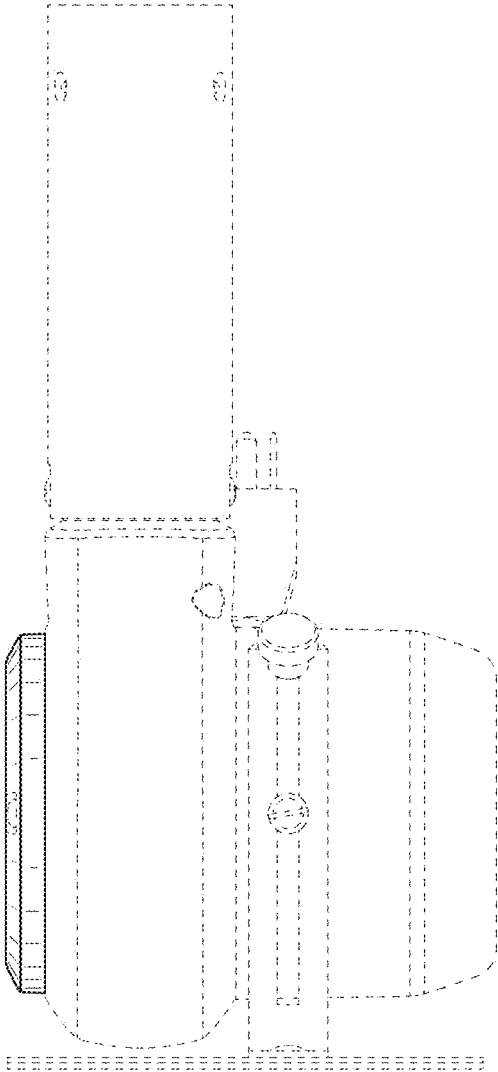


FIG. 7

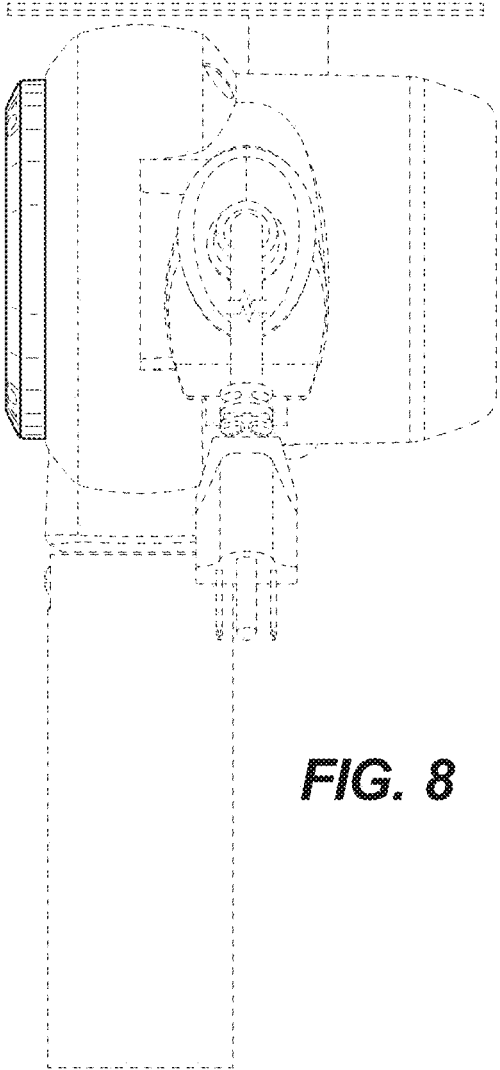


FIG. 8