



(12) **United States Design Patent**
Berbee et al.

(10) **Patent No.:** **US D894,383 S**
(45) **Date of Patent:** **** Aug. 25, 2020**

- (54) **OTOSCOPE**
- (71) Applicant: **Wisconsin Alumni Research Foundation**, Madison, WI (US)
- (72) Inventors: **James Berbee**, Madison, WI (US); **Greg Rebella**, Hartland, WI (US); **Azita Hamedani**, Verona, WI (US); **Cameron Loper**, Falls Church, VA (US); **Robert Carlton**, Lowell, MA (US)
- (73) Assignee: **Wisconsin Alumni Research Foundation**, Madison, WI (US)
- (**) Term: **15 Years**
- (21) Appl. No.: **29/637,588**
- (22) Filed: **Feb. 20, 2018**

D265,504	S	*	7/1982	Nash	D24/137
D278,554	S	*	4/1985	Bain	D24/137
D286,814	S	*	11/1986	Brainard, II	600/200
D288,960	S	*	3/1987	Riester	D24/137
D374,077	S	*	9/1996	Butler	D24/137
D377,393	S	*	1/1997	Sams	D24/137
5,762,605	A		6/1998	Cane et al.		
D406,339	S	*	3/1999	Stacks	D24/137
D423,668	S	*	4/2000	Coe	D24/137
6,106,457	A		8/2000	Perkins et al.		
6,186,944	B1		2/2001	Tsai		
6,626,825	B2		9/2003	Tsai		
7,354,399	B2		4/2008	Strom et al.		
8,066,634	B2		11/2011	Andreassen et al.		
D709,191	S	*	7/2014	Wood	D24/137

(Continued)

Primary Examiner — Eliza Z Bennett-Hattan
(74) *Attorney, Agent, or Firm* — Boyle Fredrickson S.C.

(57) **CLAIM**

The ornamental design for an otoscope, substantially as shown and described.

DESCRIPTION

FIG. 1 is a front, right side perspective view of an otoscope of the present invention;
 FIG. 2 is a rear, right side perspective view of the otoscope of FIG. 1;
 FIG. 3 is a front side elevation view of the otoscope of FIG. 1;
 FIG. 4 is a rear side elevation view of the otoscope of FIG. 1;
 FIG. 5 is a right side elevation view of the otoscope of FIG. 1;
 FIG. 6 is a left side elevation view of the otoscope of FIG. 1;
 FIG. 7 is a top plan view of the otoscope of FIG. 1; and,
 FIG. 8 is a bottom plan view of the otoscope of FIG. 1.
 The broken lines show environmental structure or boundaries that form no part of the claimed design.

1 Claim, 6 Drawing Sheets

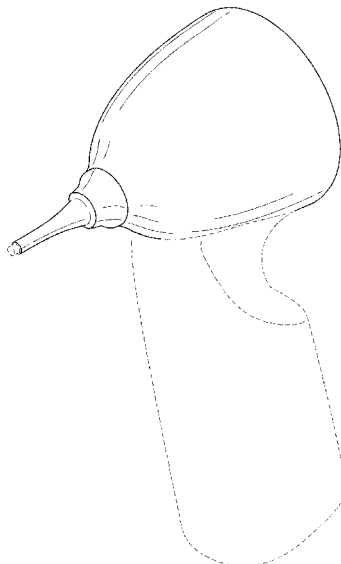
Related U.S. Application Data

- (63) Continuation-in-part of application No. 15/856,865, filed on Dec. 28, 2017.
- (51) **LOC (12) Cl.** **24-02**
- (52) **U.S. Cl.**
USPC **D24/137**
- (58) **Field of Classification Search**
USPC D24/137, 138, 151
CPC A61B 1/227
See application file for complete search history.

References Cited

U.S. PATENT DOCUMENTS

3,110,304	A	*	11/1963	Hartman	A61B 1/227 600/200
3,543,746	A	*	12/1970	Hotchkiss	G02B 23/2484 600/200
D221,109	S	*	7/1971	Heine	D24/137
D238,099	S	*	12/1975	Pulos	D24/137



(56)

References Cited

U.S. PATENT DOCUMENTS

D776,810	S	*	1/2017	Tseng	D24/137
D802,129	S	*	11/2017	Im	D24/137
D802,130	S	*	11/2017	Im	D24/137
2015/0374208	A1		12/2015	Ruppersberg et al.	

* cited by examiner

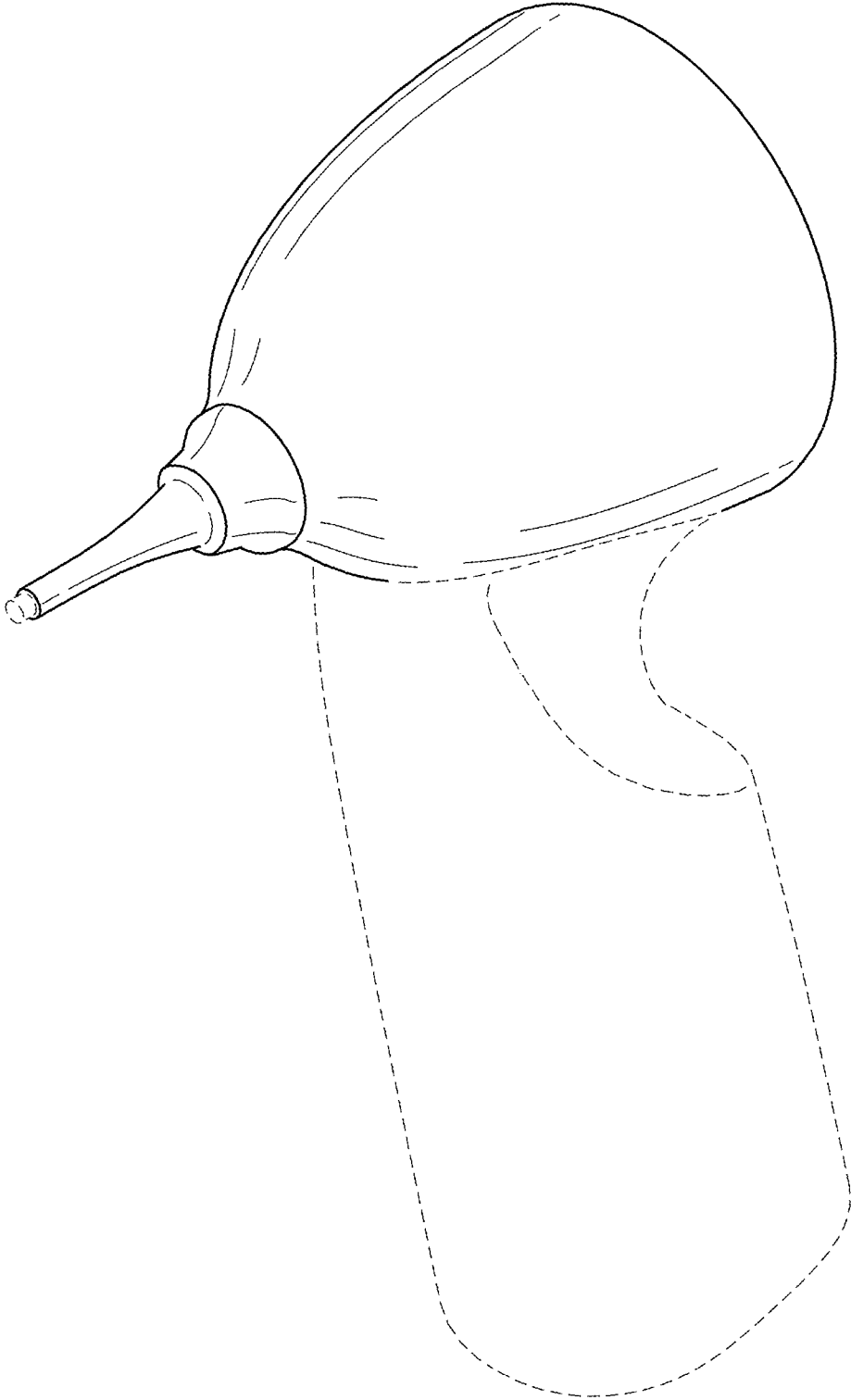


FIG. 1

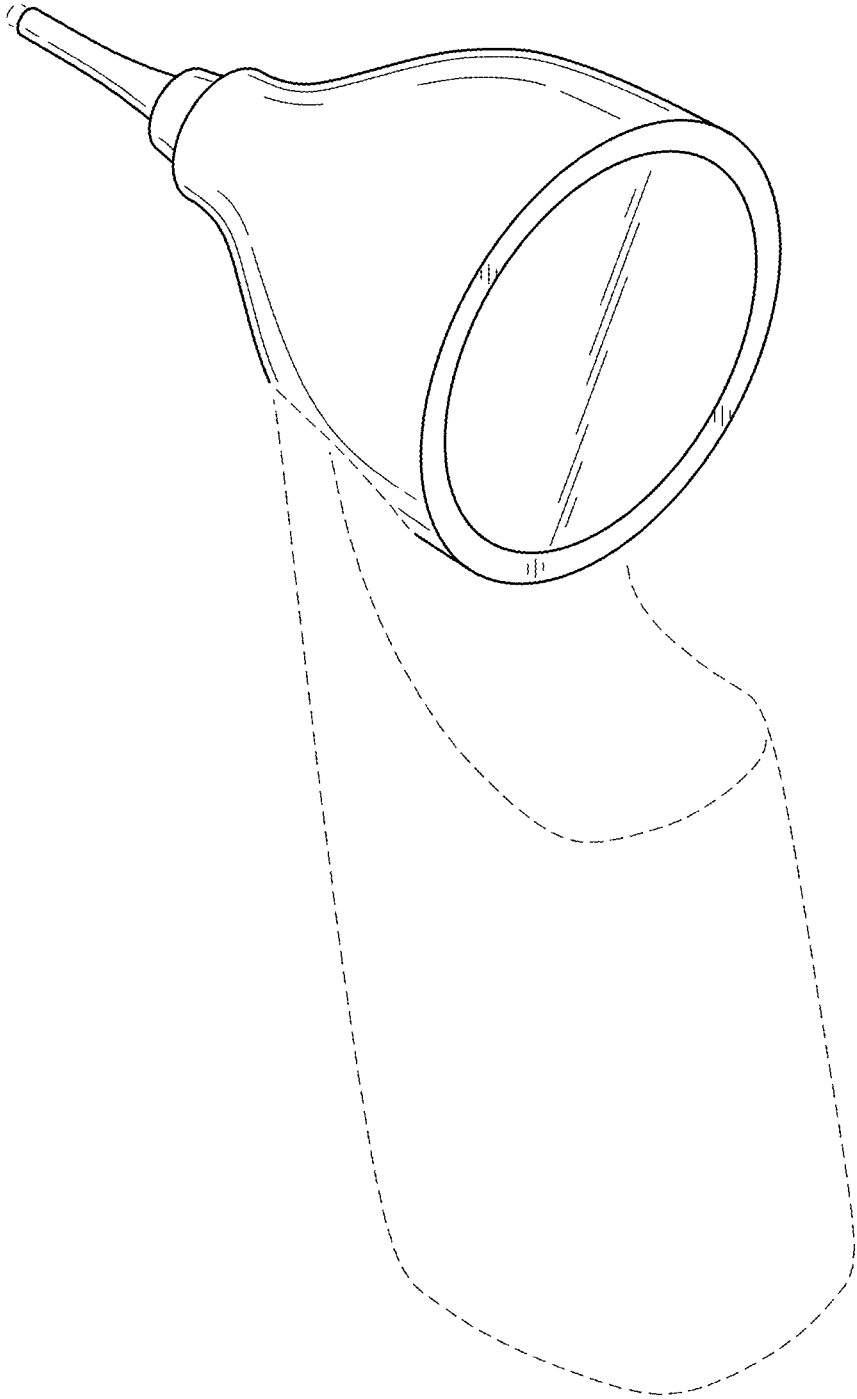


FIG. 2

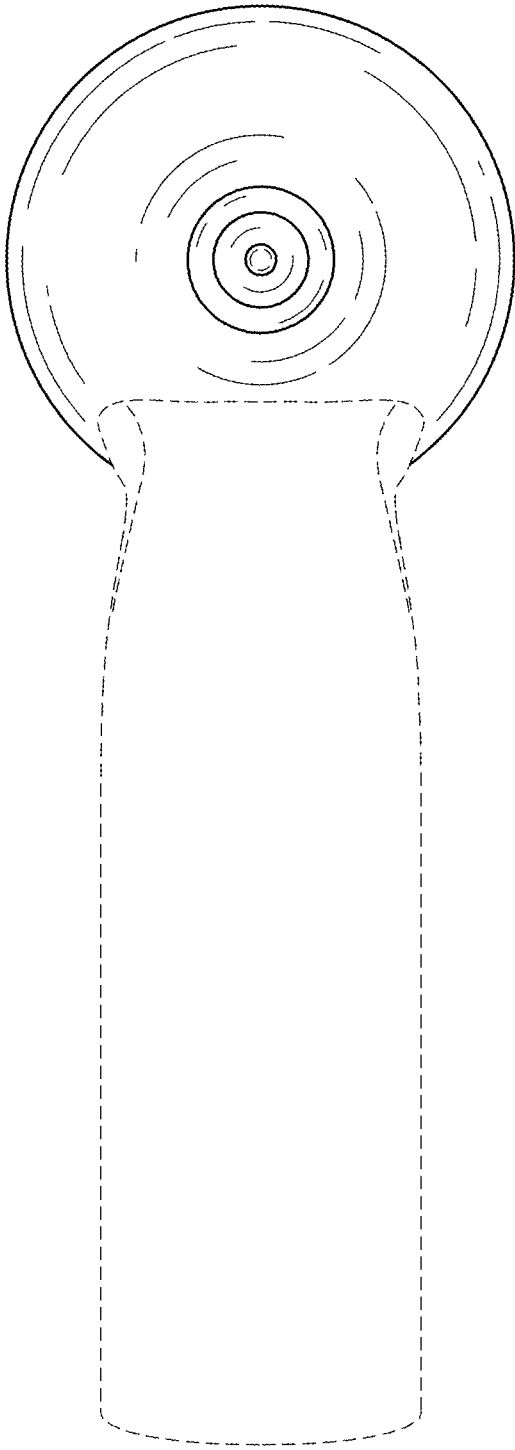


FIG. 3

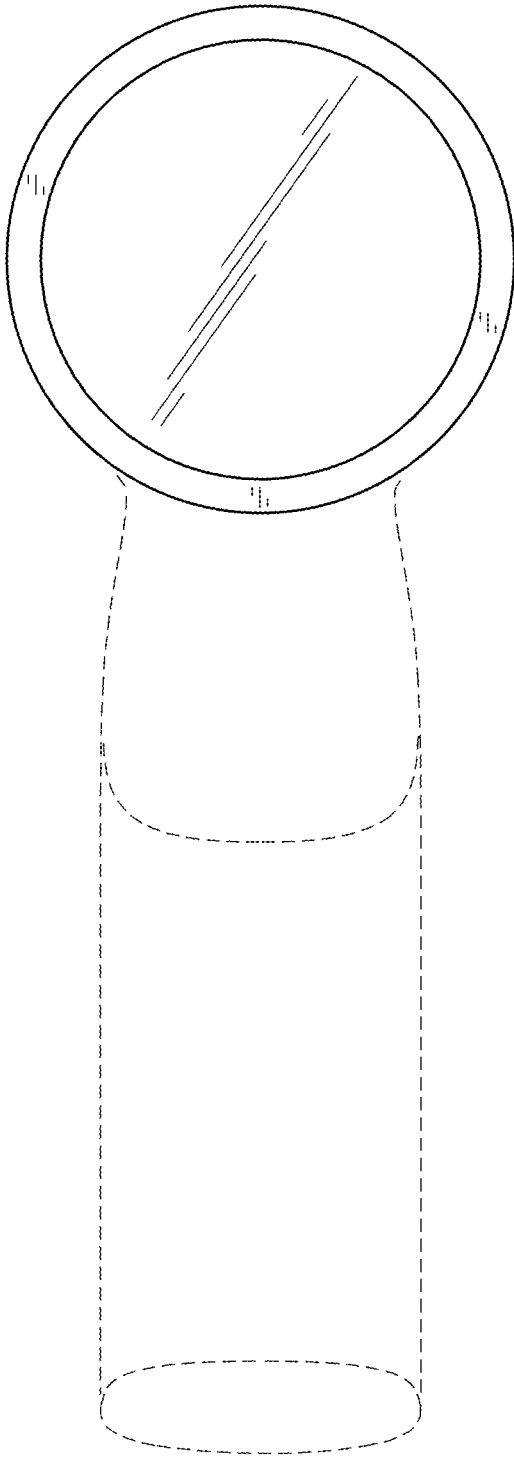


FIG. 4

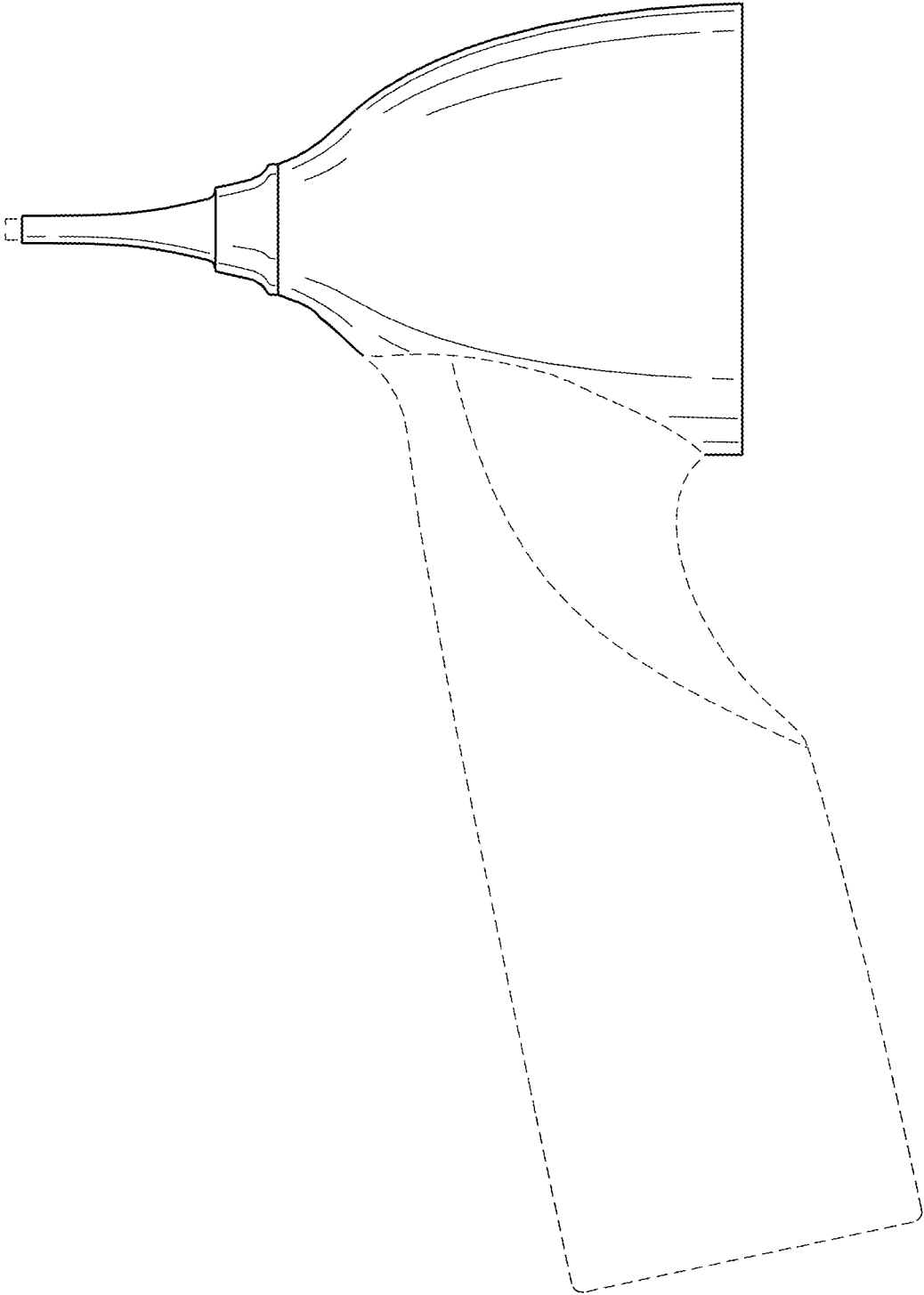


FIG. 5

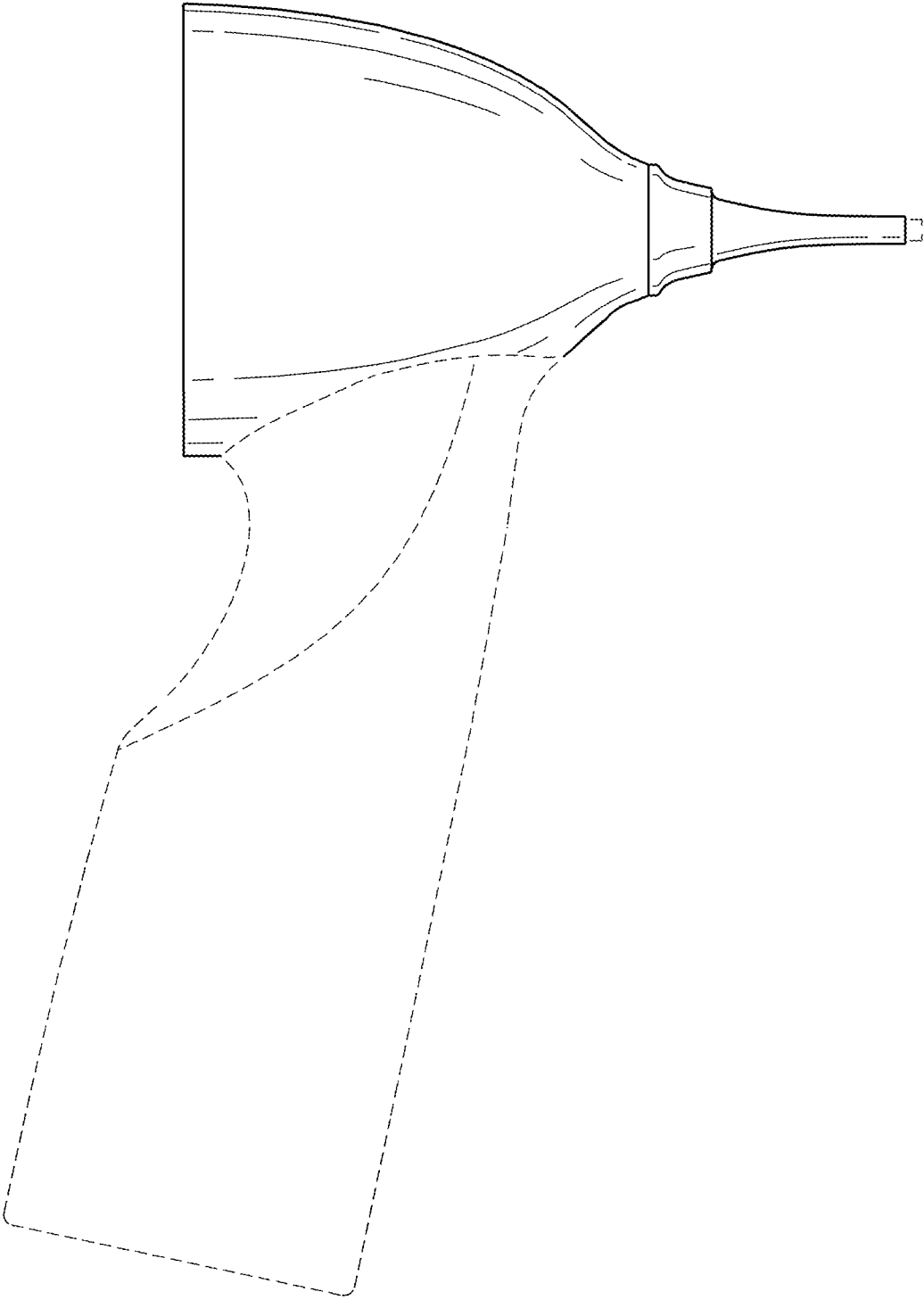


FIG. 6

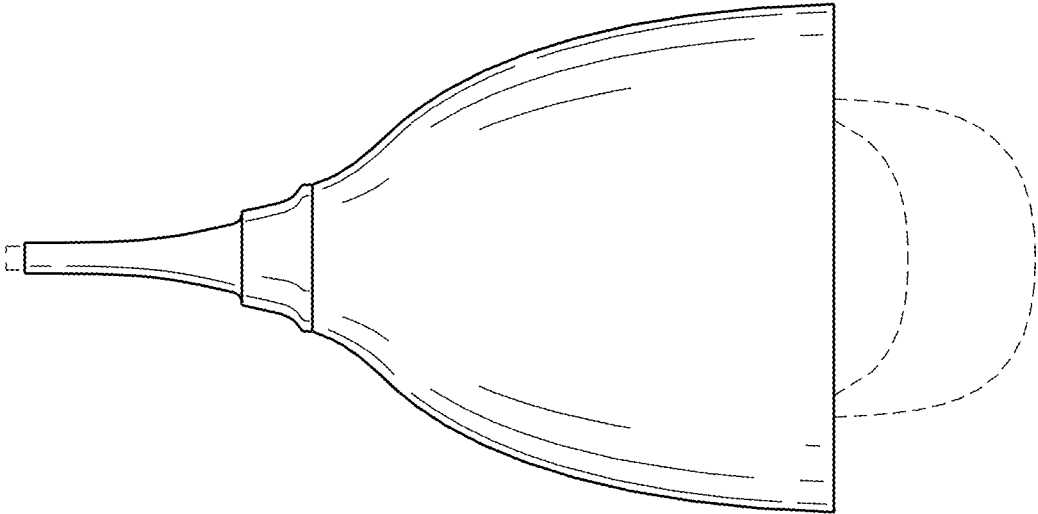


FIG. 7

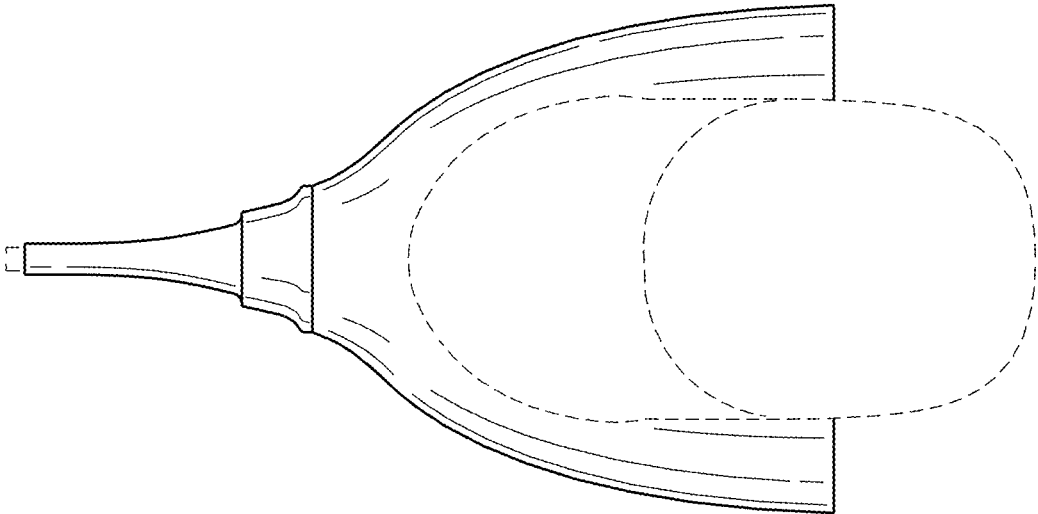


FIG. 8