



(12) **United States Design Patent**
Karp et al.

(10) **Patent No.:** **US D887,106 S**
(45) **Date of Patent:** **** Jun. 16, 2020**

(54) **INTERLEAVE WITH CHEESE**

DESCRIPTION

- (71) Applicant: **Sargento Foods Inc.**, Plymouth, WI (US)
- (72) Inventors: **Jeff Karp**, Elkhart Lake, WI (US);
Todd Purkey, Elkhart Lake, WI (US)
- (73) Assignee: **Sargento Foods Inc.**, Plymouth, WI (US)
- (**) Term: **15 Years**
- (21) Appl. No.: **29/662,685**
- (22) Filed: **Sep. 7, 2018**
- (51) **LOC (12) Cl.** **01-01**
- (52) **U.S. Cl.**
USPC **D1/102**; D9/416
- (58) **Field of Classification Search**
USPC D1/100–130, 199; 426/5, 76, 87, 92, 94,
426/95, 99, 101, 103, 108, 138–139, 143,
(Continued)

FIG. 1 is a top perspective view of an interleave with cheese. FIG. 2 is a top view of the interleave with cheese shown in FIG. 1. FIG. 3 is a bottom view of the interleave with cheese shown in FIG. 1. FIG. 4 is a right side view of the interleave with cheese shown in FIG. 1. FIG. 5 is a left side view of the interleave with cheese shown in FIG. 1. FIG. 6 is a front view of the interleave with cheese shown in FIG. 1. FIG. 7 is a rear view of the interleave with cheese shown in FIG. 1. FIG. 8 is a cross-section view of the interleave with cheese taken through line 8-8 in FIG. 2. FIG. 9 is a top perspective view of an interleave with cheese. FIG. 10 is a top view of the interleave with cheese shown in FIG. 9. FIG. 11 is a bottom view of the interleave with cheese shown in FIG. 9. FIG. 12 is a right side view of the interleave with cheese shown in FIG. 9. FIG. 13 is a left side view of the interleave with cheese shown in FIG. 9. FIG. 14 is a front view of the interleave with cheese shown in FIG. 9. FIG. 15 is a rear view of the interleave with cheese shown in FIG. 9; and, FIG. 16 is a cross-section view of the interleave with cheese taken through line 16-16 in FIG. 10. The broken lines having equal segments represent portions of the article that form no part of the claimed design. The broken lines having unequal length segments illustrate the boundaries between claimed and unclaimed portions of the design and form no part of the claimed design. In FIGS. 1-16, stippling and straight-line surface shading represent contrast in materials, and the stippling represents the appearance of cheese as indicated by the use of the conventional graphic drawing symbol for cheese in the cross-section of FIGS. 8 and 16.

(56) **References Cited**

U.S. PATENT DOCUMENTS

- 3,445,083 A * 5/1969 Louis A47G 27/0206
248/346.01
- D246,346 S * 11/1977 Strunk D8/354
(Continued)

OTHER PUBLICATIONS

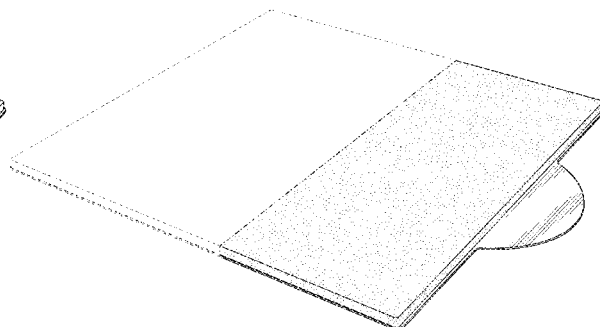
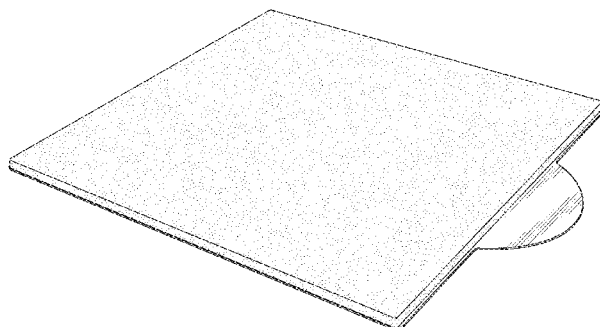
BPM Inc.; "Cheese Interleaver Papers"; Website; http://bpmpaper.com/Cheese_Interleaver.html; Feb. 14, 2017 ; 1 page.

Primary Examiner — Katie Jane Stofko
(74) *Attorney, Agent, or Firm* — Boyle Fredrickson S.C.

(57) **CLAIM**

We claim the ornamental design for an interleave with cheese, as shown and described.

1 Claim, 8 Drawing Sheets



(58) **Field of Classification Search**

USPC 426/144, 279, 282, 283, 391, 514, 549,
 426/660, 72, 582; 424/438, 440, 464,
 424/470-472; D30/121; D9/414-418,
 D9/423, 431, 643, 702, 707; D19/1
 CPC .. A61K 9/2072; A61K 9/0004; A61K 9/2095;
 A61K 9/209; B65D 31/00; B65D 75/5838
 See application file for complete search history.

(56) **References Cited**

U.S. PATENT DOCUMENTS

5,150,708 A * 9/1992 Brooks A61N 1/046
 600/391
 5,366,489 A * 11/1994 Burgio A61B 18/16
 607/47
 D432,137 S * 10/2000 Holtzman D14/458
 D537,735 S * 3/2007 Fountoulakis D9/415
 D622,995 S * 9/2010 Beraha D20/27
 D681,110 S * 4/2013 Sato D19/1
 D681,831 S * 5/2013 Samlaska D24/189
 D690,351 S * 9/2013 Sato D19/1
 9,033,147 B2 * 5/2015 Lee A45C 11/00
 206/320
 D734,849 S * 7/2015 Conforti D24/124
 D772,338 S * 11/2016 Sato D19/1
 D822,676 S * 7/2018 Nicholas D14/458
 D843,533 S * 3/2019 Hopkins D21/771
 D844,930 S * 4/2019 Moore D2/602
 D850,152 S * 6/2019 Amrine D6/592
 2006/0057324 A1 * 3/2006 Phillips B42D 5/003
 428/40.1
 2011/0244168 A1 * 10/2011 Chou B32B 27/02
 428/71

* cited by examiner

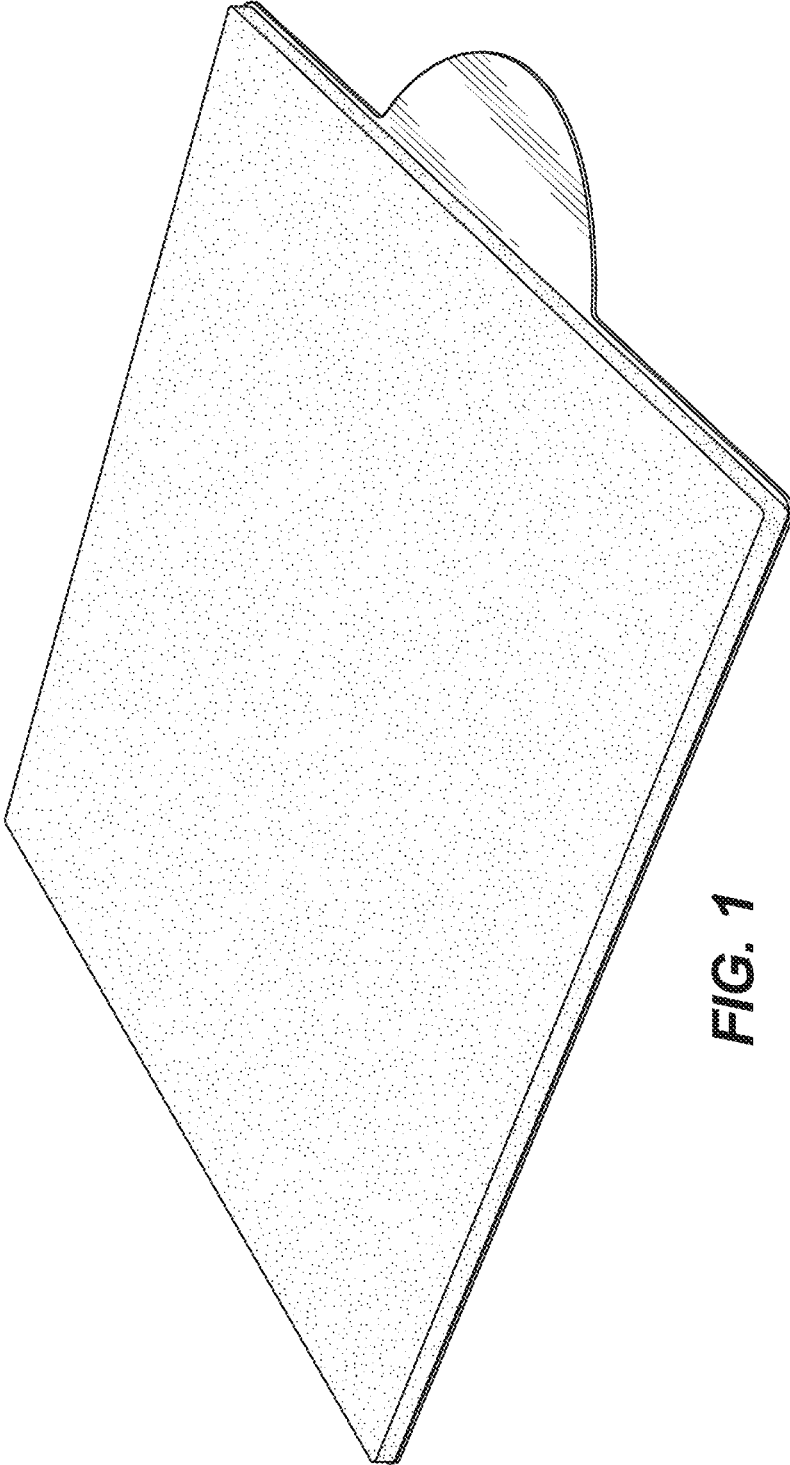


FIG. 1

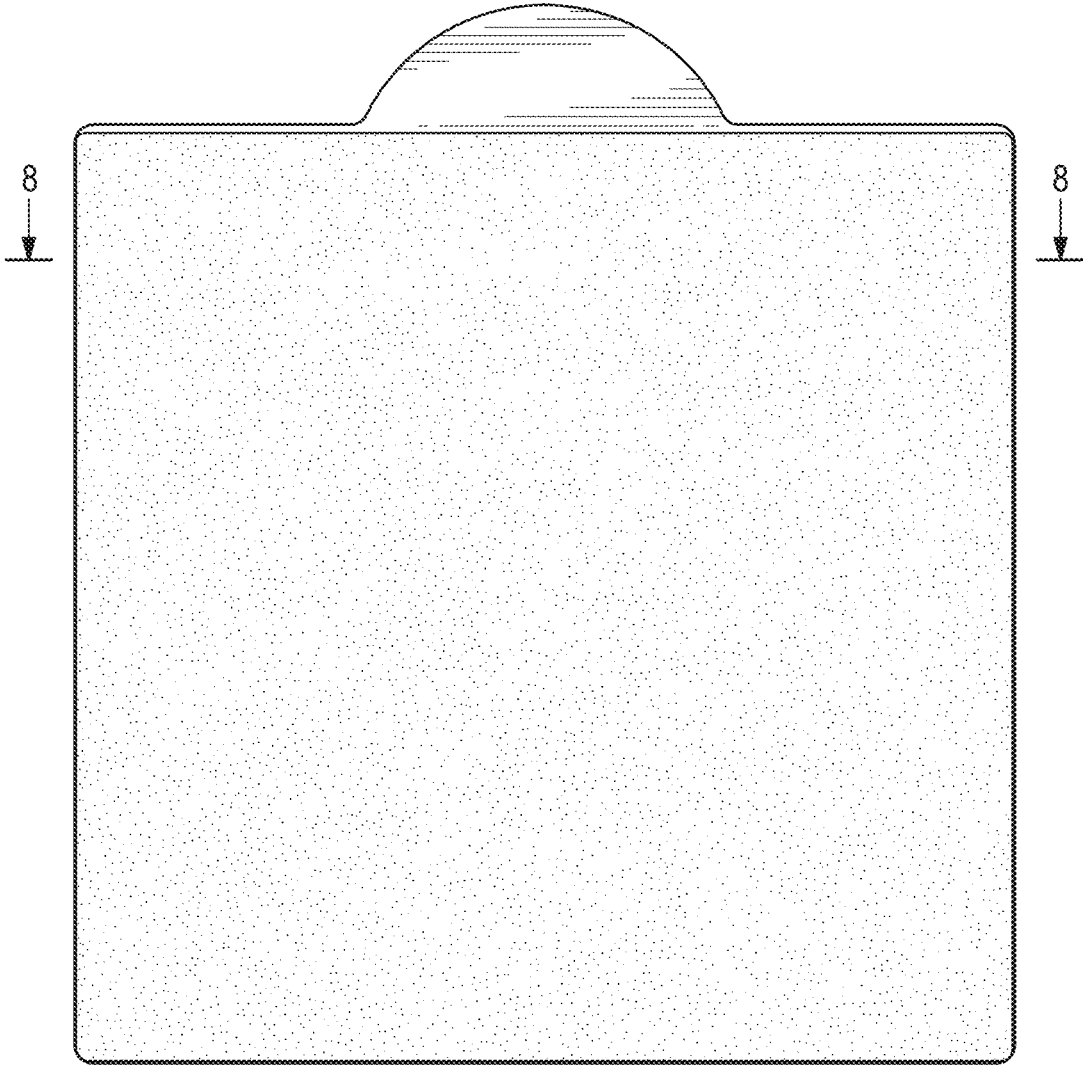


FIG. 2

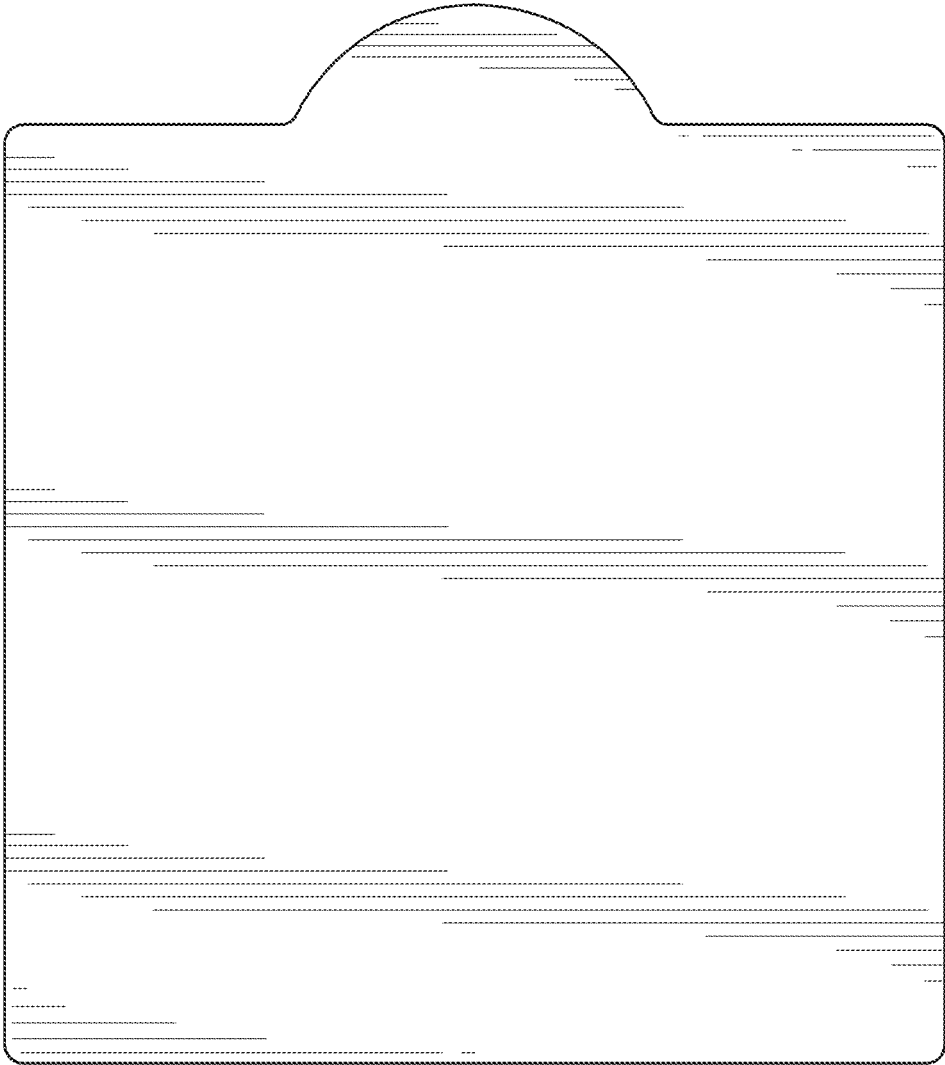


FIG. 3



FIG. 4

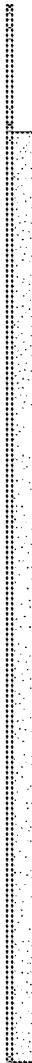


FIG. 5



FIG. 6



FIG. 7

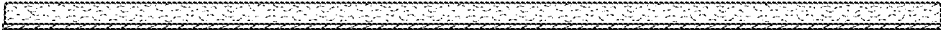


FIG. 8

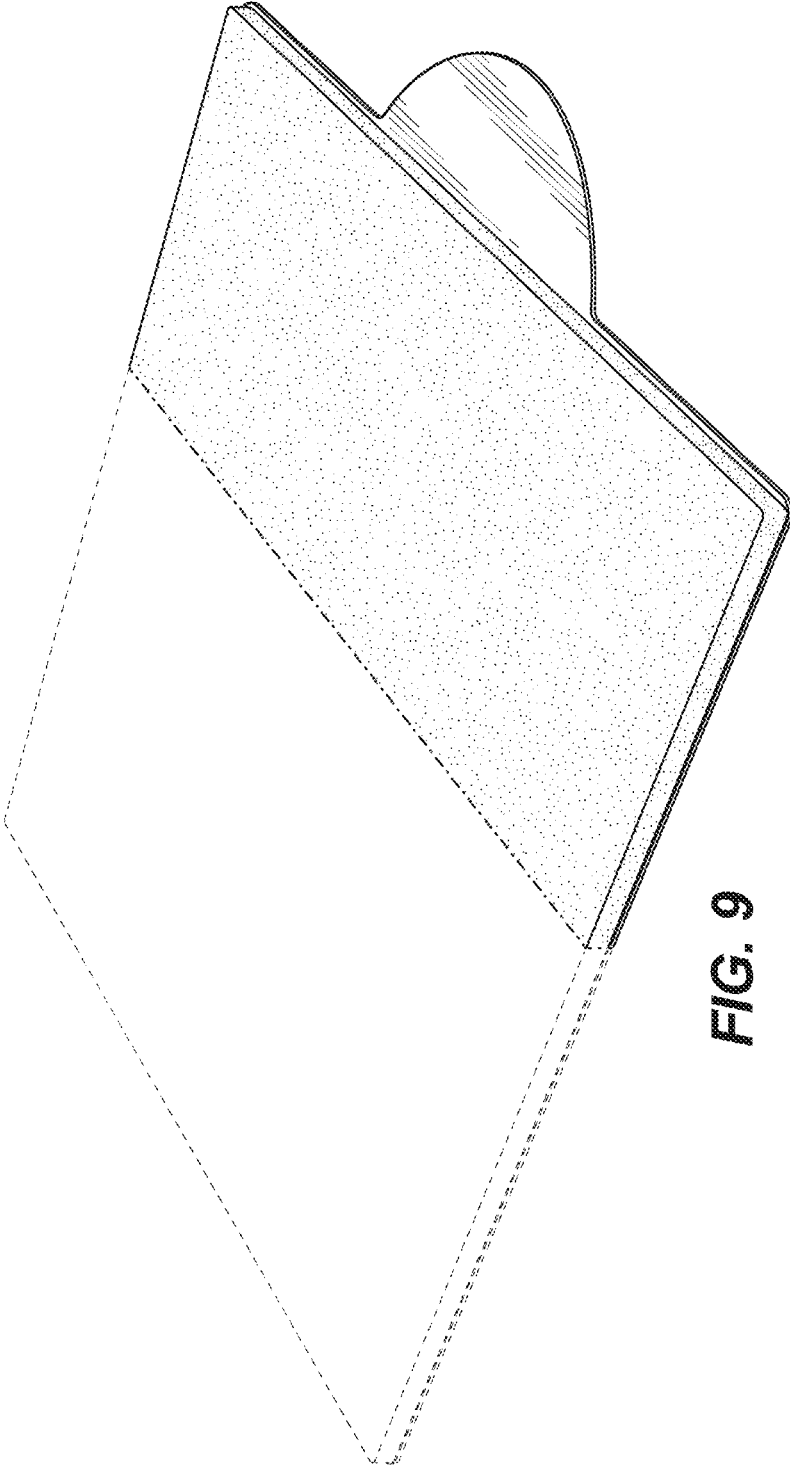


FIG. 9

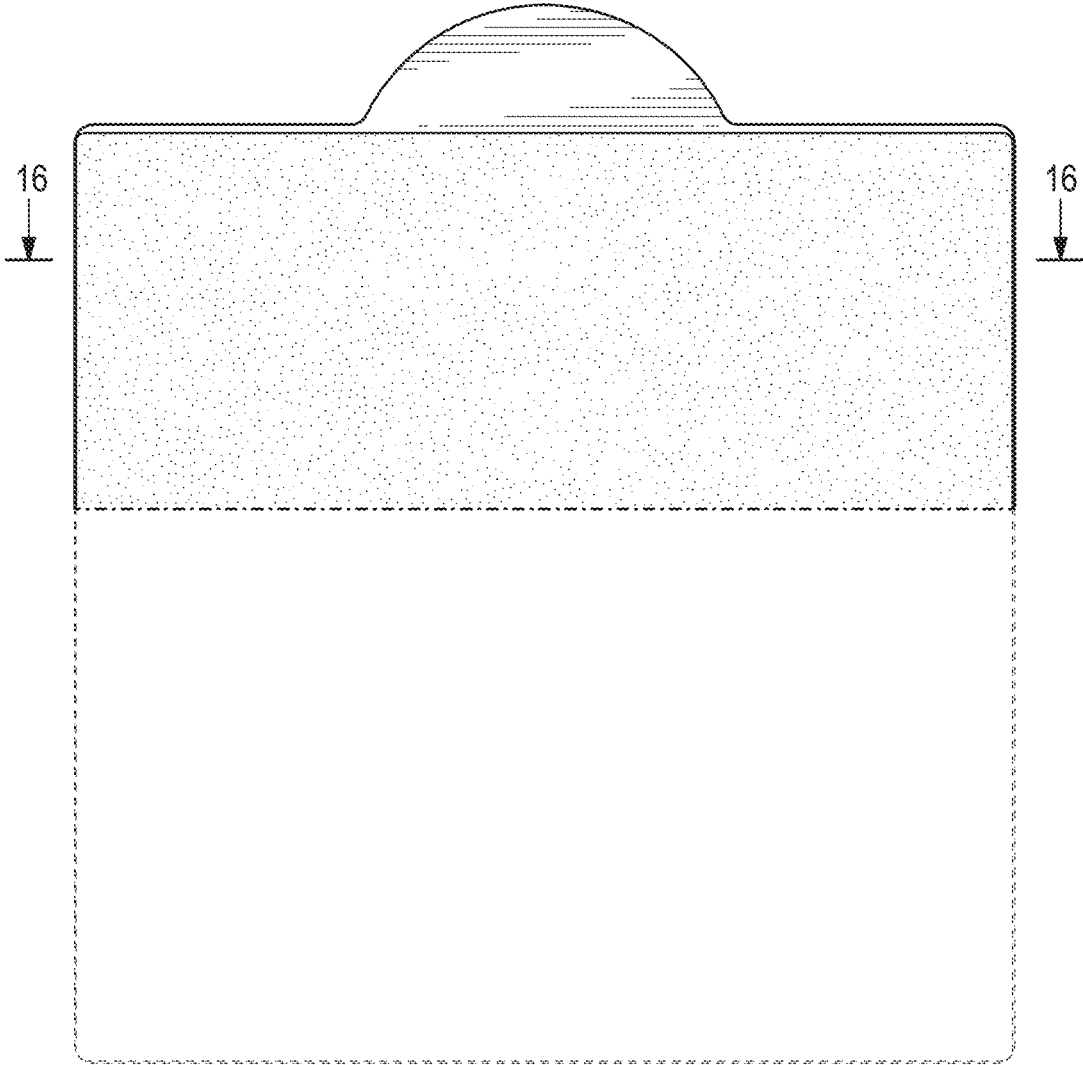


FIG. 10

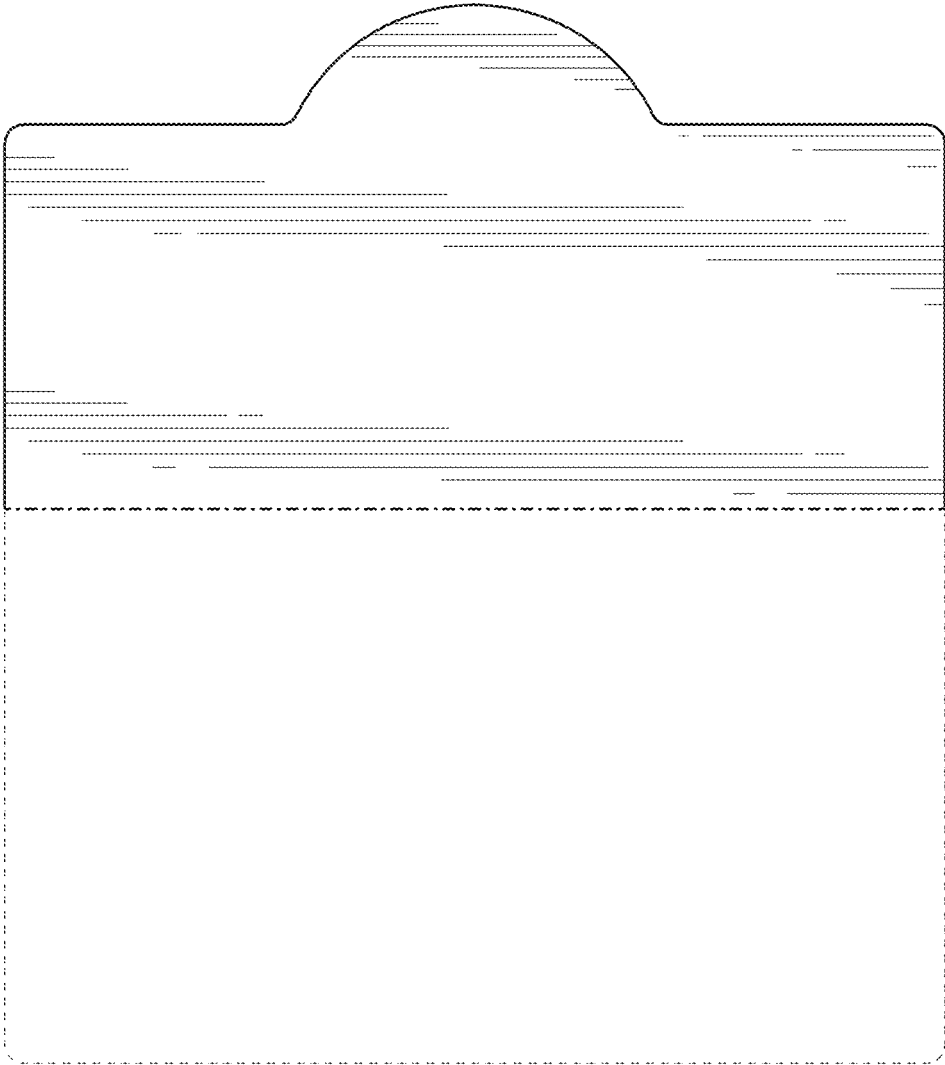


FIG. 11

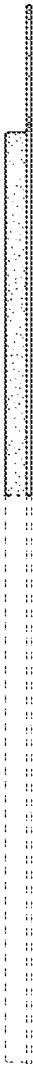


FIG. 12

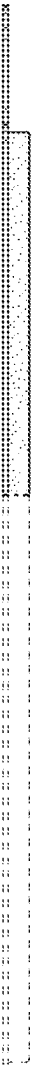


FIG. 13



FIG. 14

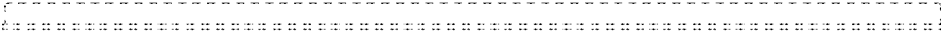


FIG. 15

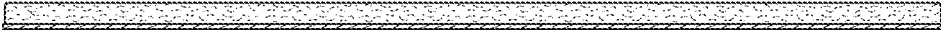


FIG. 16