



US00D608066S

(12) **United States Design Patent**
Pearl et al.

(10) **Patent No.:** **US D608,066 S**

(45) **Date of Patent:** **** Jan. 12, 2010**

(54) **PAIL**

(76) Inventors: **Jayson Pearl**, N16 W30119
Timberbrook Ct., Pewaukee, WI (US)
53072; **Norm Faiola**, 15 Chelseas Walk,
Ithaca, NY (US) 14850; **Michael Young**,
1103 Rainbow Ct., Mukwonago, WI
(US) 53149; **Bernie Ziebart**, N19
W28072 Golf View Ct., Pewaukee, WI
(US) 53072; **Brian Albrecht**, 501
Morningside St., Elkhorn, WI (US)
53121

D544,669 S * 6/2007 Casteel et al. D32/53
D546,514 S * 7/2007 Byrne D32/53
D549,416 S * 8/2007 Sampaio D32/53
D582,117 S * 12/2008 Chafe et al. D32/53.1

* cited by examiner

Primary Examiner—Robin V Webster
(74) *Attorney, Agent, or Firm*—Boyle Fredrickson, S.C.

(**) Term: **14 Years**

(21) Appl. No.: **29/337,161**

(22) Filed: **May 15, 2009**

(51) **LOC (9) Cl.** **07-07**

(52) **U.S. Cl.** **D32/53**

(58) **Field of Classification Search** D32/53,
D32/53.1, 54; 220/570, 495.01, 495.02,
220/904, 908; 15/260, 264, 257.06

See application file for complete search history.

(56) **References Cited**

U.S. PATENT DOCUMENTS

D527,153 S * 8/2006 Morad et al. D32/53

(57) **CLAIM**

The ornamental design of a pail, as shown and described.

DESCRIPTION

FIG. 1 is a top perspective view of a pail in accordance with the new design;

FIG. 2 is a side elevation view of the pail of FIG. 1;

FIG. 3 is a front elevation view of the pail of FIG. 1;

FIG. 4 is a rear elevation view of the pail of FIG. 1;

FIG. 5 is a top plan view of the pail of FIG. 1;

FIG. 6 is a bottom plan view of the pail of FIG. 1; and,

FIG. 7 is a rear perspective view of the pail of FIG. 1.

The broken lines shown in the drawing disclosure are for illustrative purposes only and form no part of the claimed design.

1 Claim, 5 Drawing Sheets

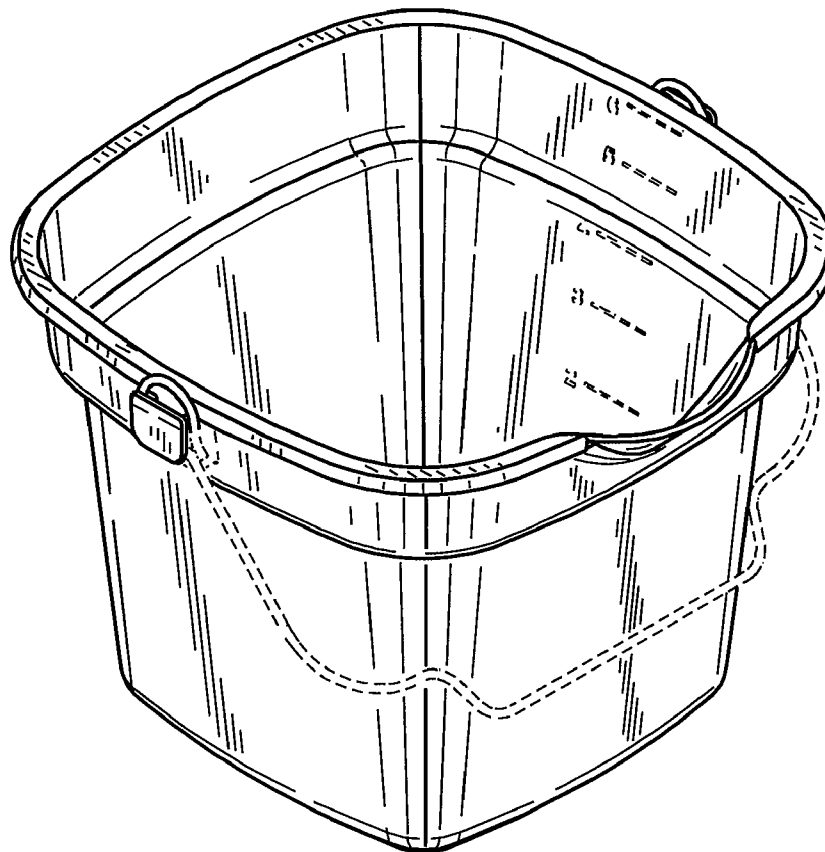


FIG. 1

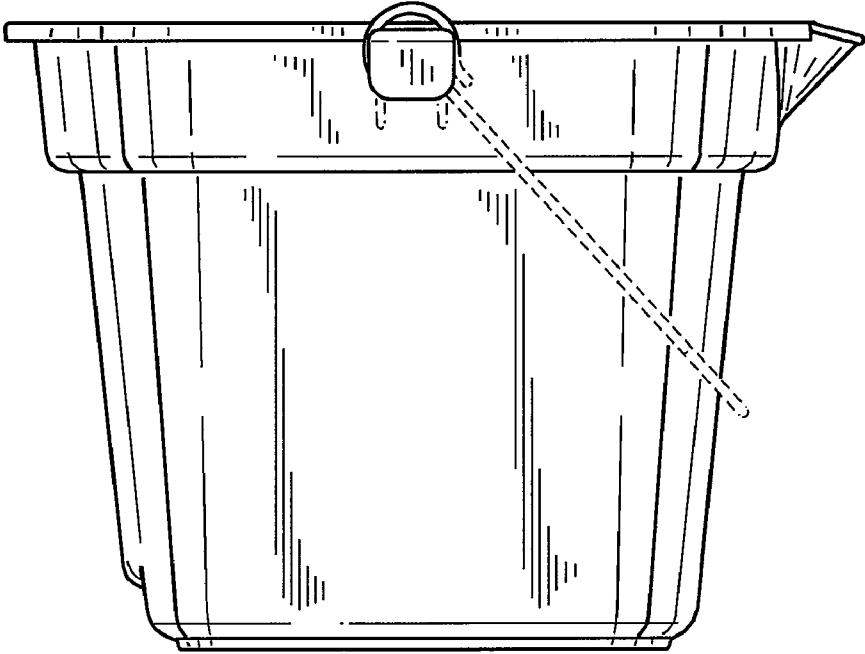
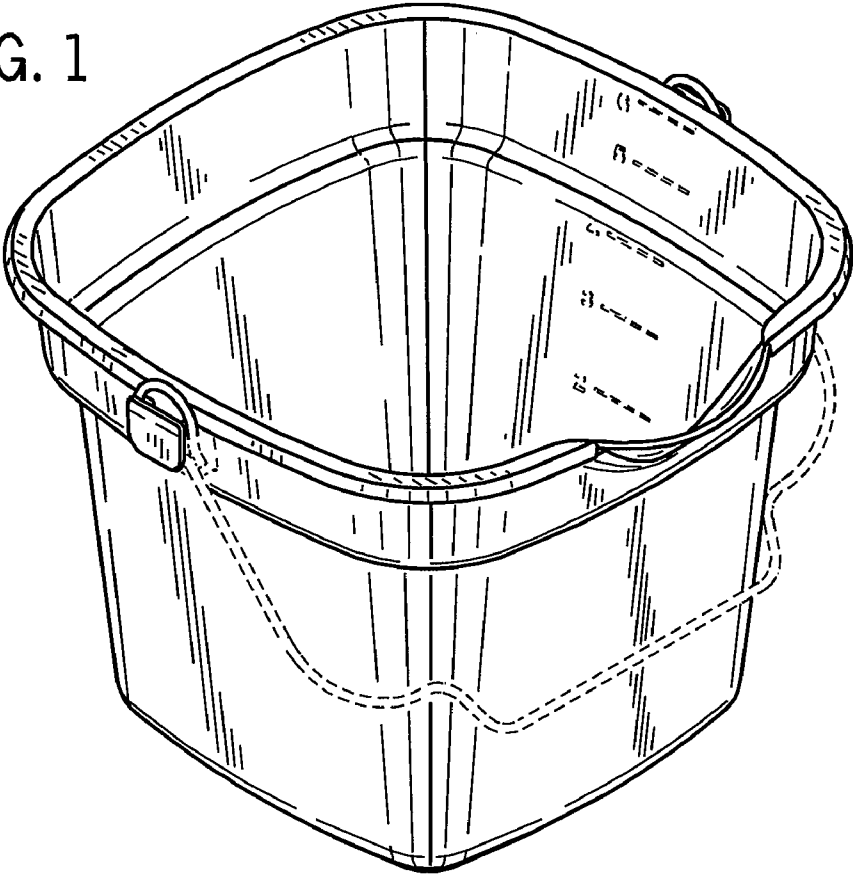


FIG. 2

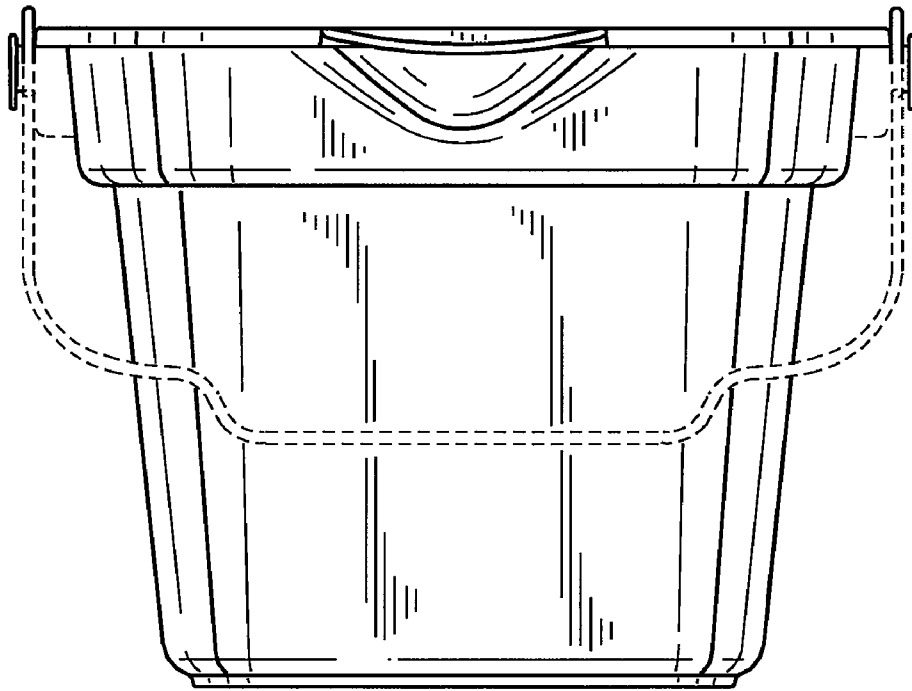


FIG. 3

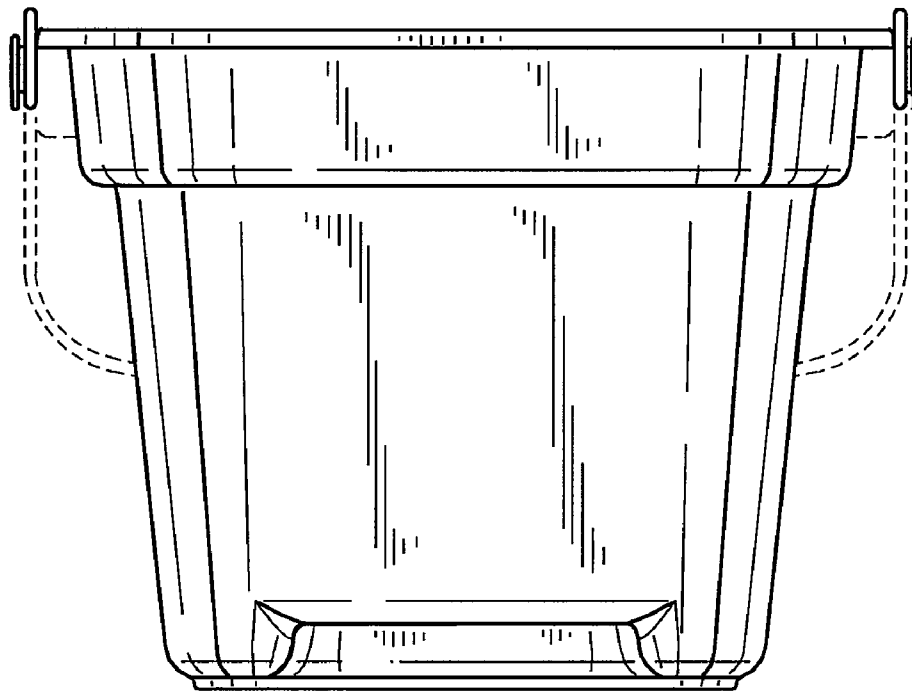


FIG. 4

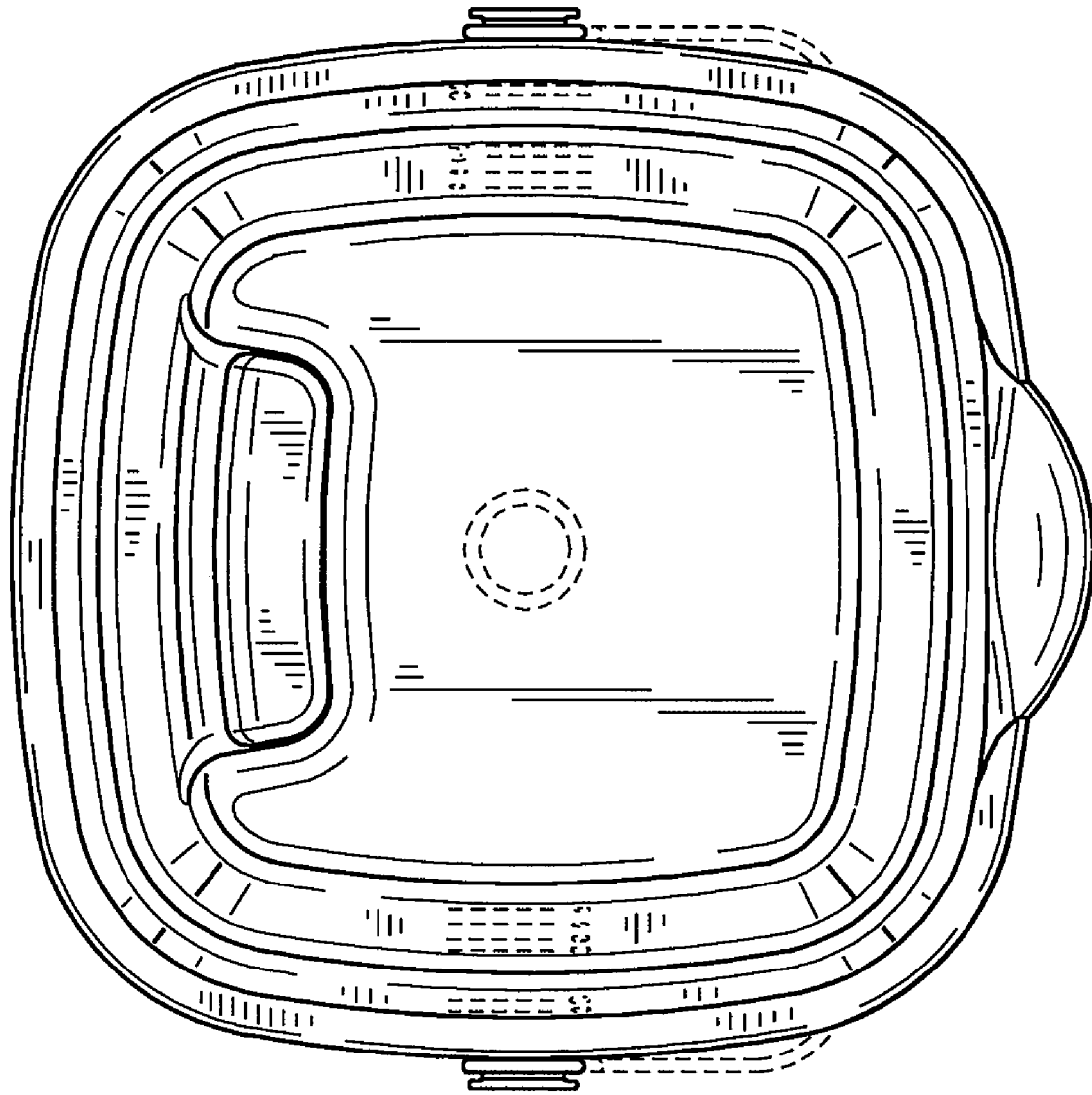


FIG. 5

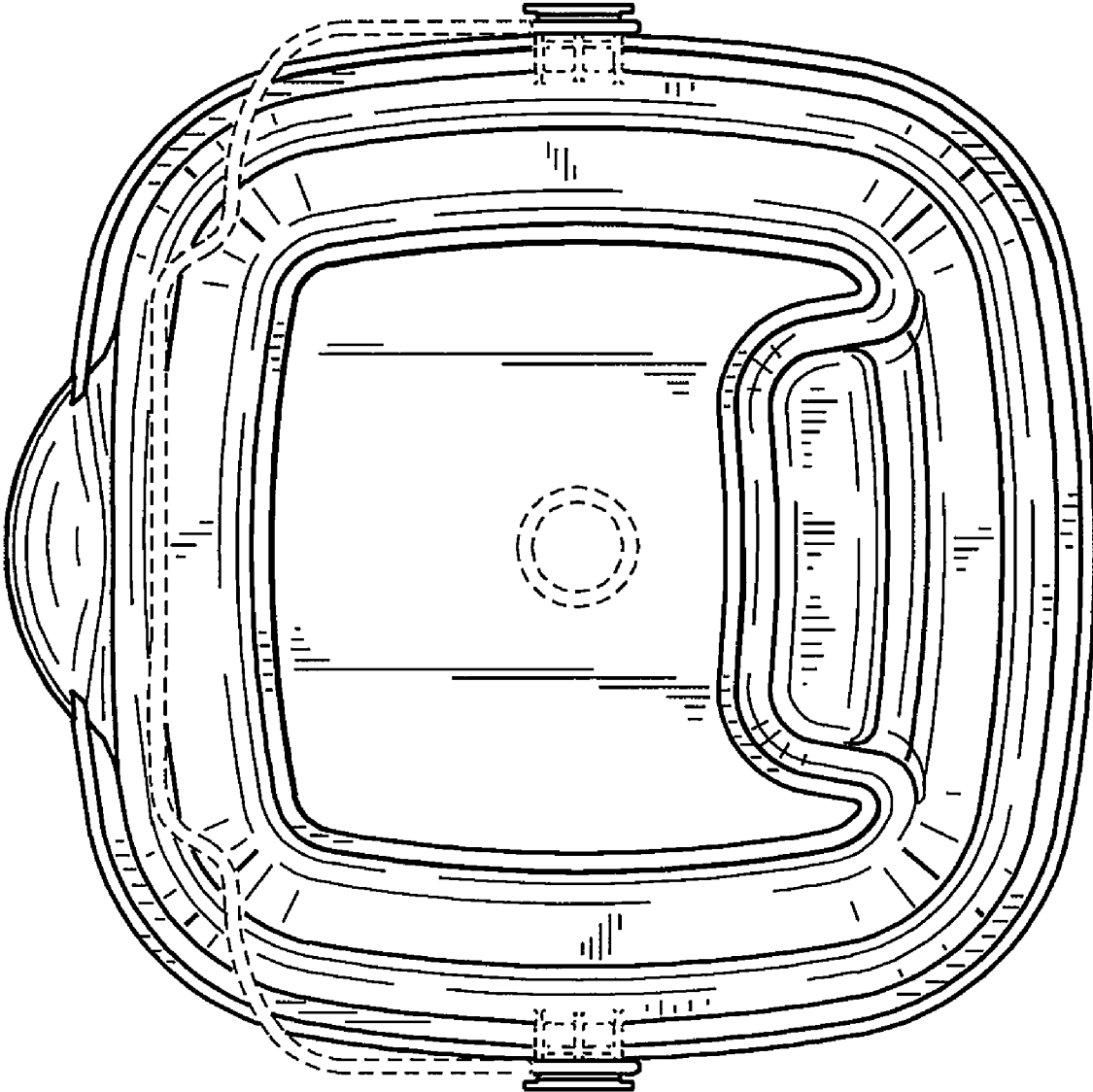


FIG. 6

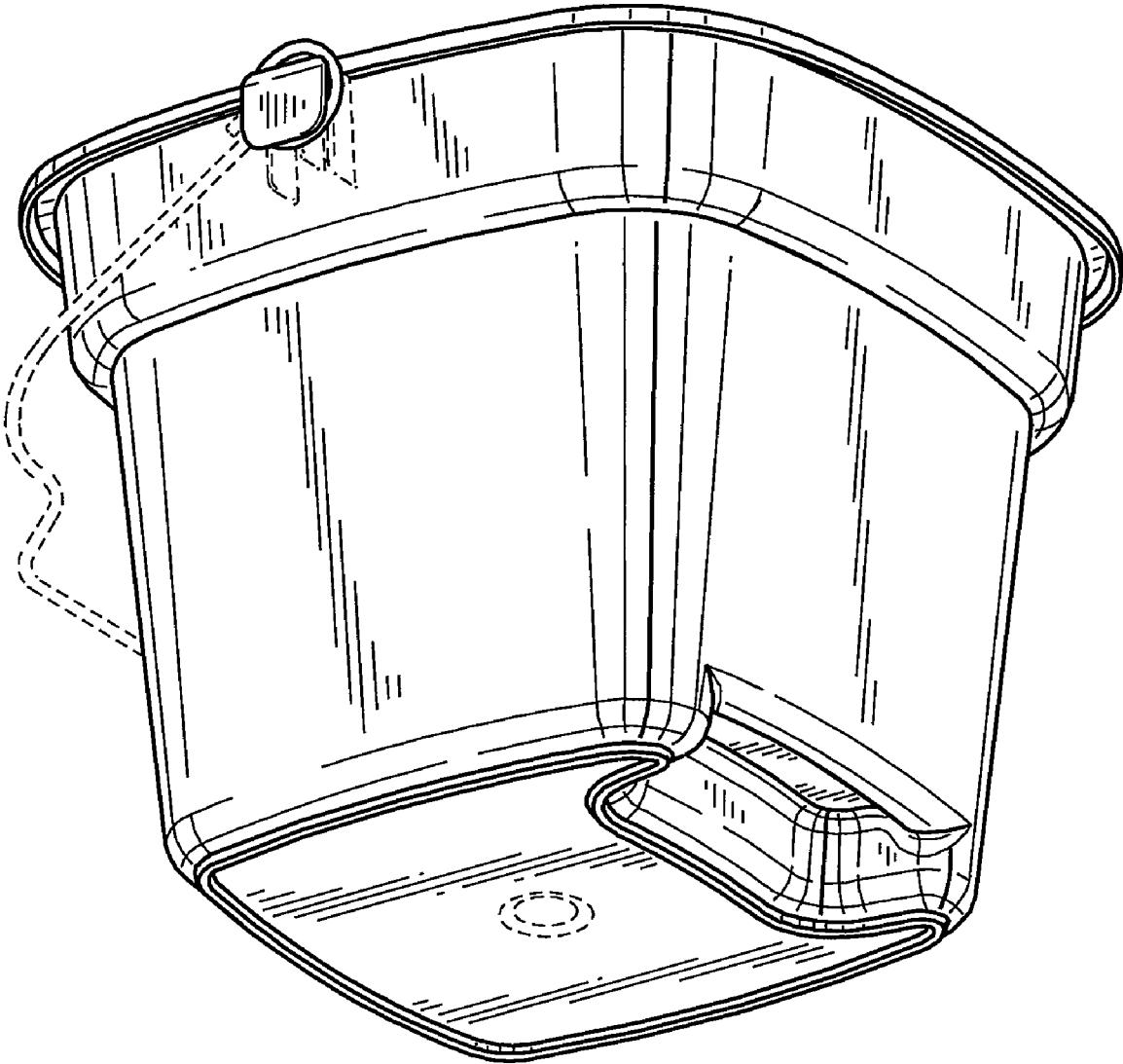


FIG. 7